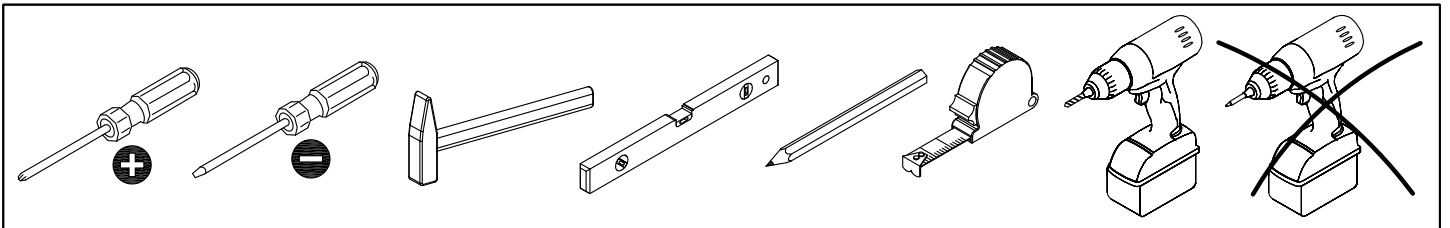
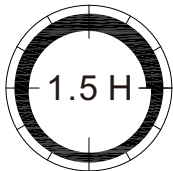
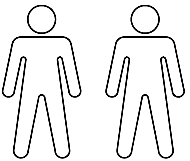
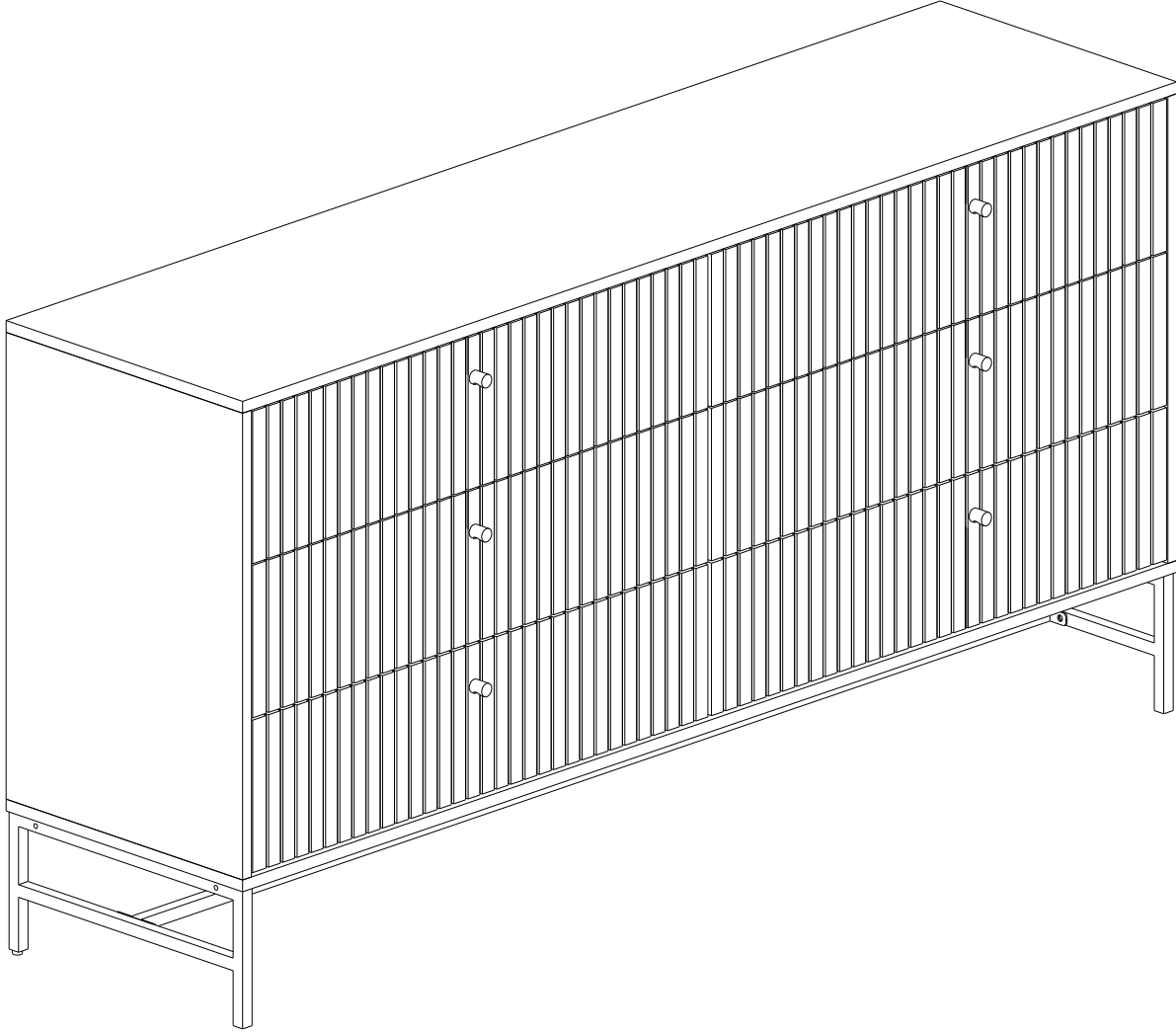
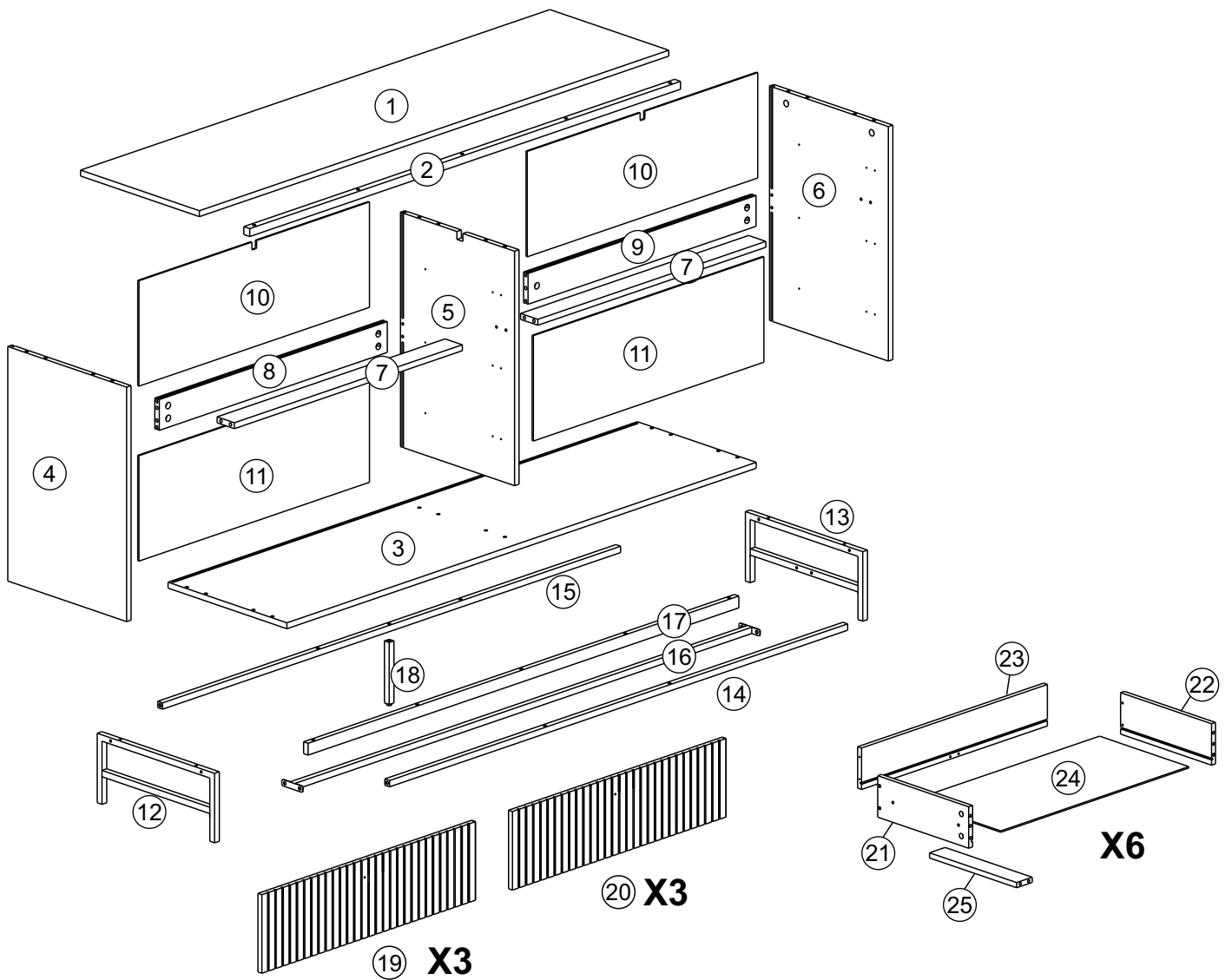


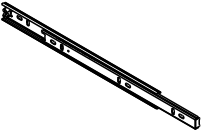
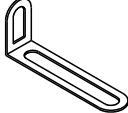
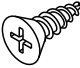
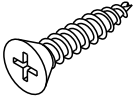
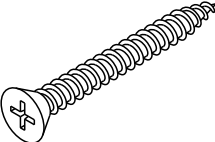
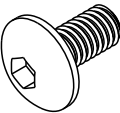
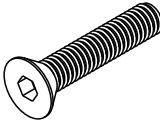
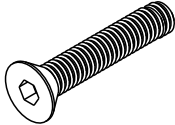
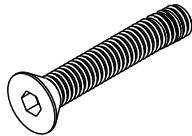
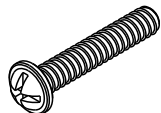
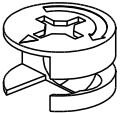
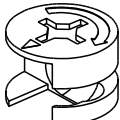
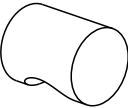
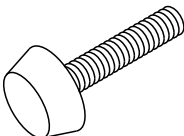
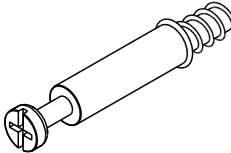
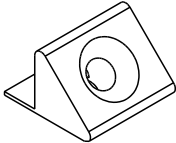
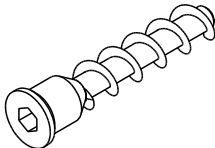
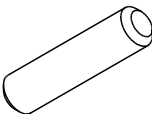
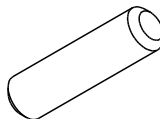
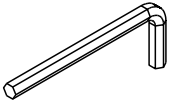
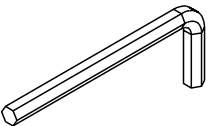
ALBANY



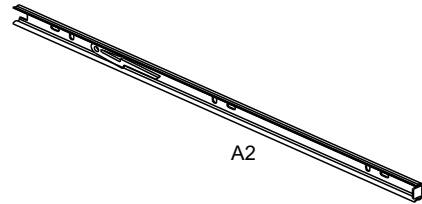
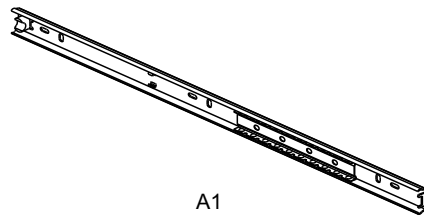
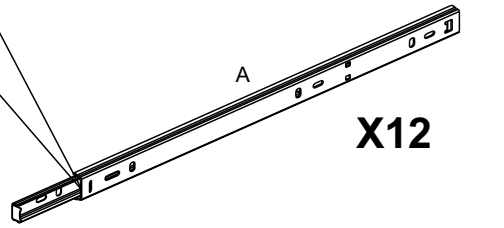
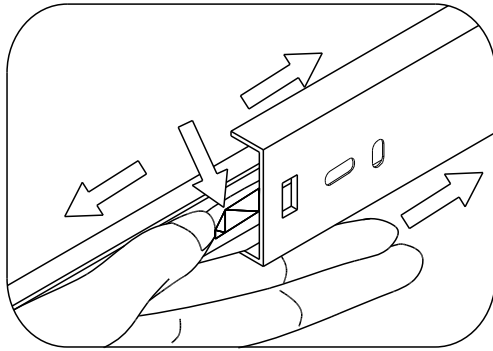
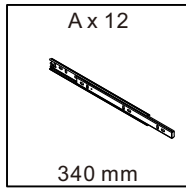
			✓
①	1	1580x400x15mm	
②	1	1455x20x20mm	
③	1	1580x400x15mm	
④	1	594x399x15mm	
⑤	1	594x382x15mm	
⑥	1	594x399x15mm	
⑦	2	767x58x15mm	
⑧	1	767x78x15mm	
⑨	1	767x78x15mm	
⑩	2	776x267x4mm	
⑪	2	776x267x4mm	
⑫	1	395x183x16mm	
⑬	1	395x183x16mm	

			✓
⑭	1	1542x16x16mm	
⑮	1	1542x16x16mm	
⑯	1	1542x70x16mm	
⑰	1	1455x30x15mm	
⑱	1	157x16x16mm	
⑲	3	770x194x16mm	
⑳	3	770x194x16mm	
㉑	6	341x148x12mm	
㉒	6	341x148x12mm	
㉓	6	724x148x12mm	
㉔	6	734x338x4mm	
㉕	6	329x60x12mm	

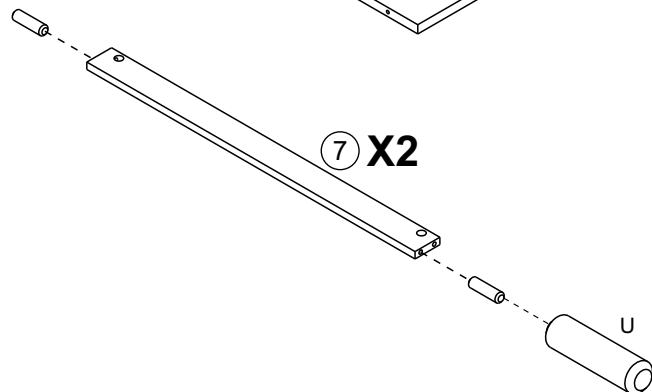
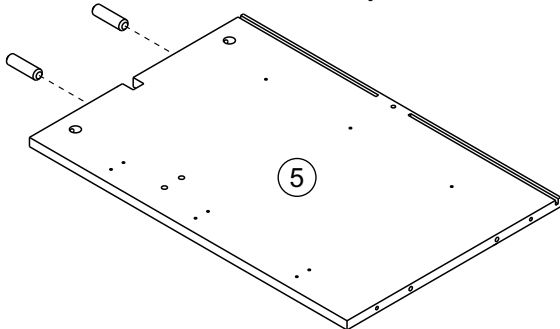
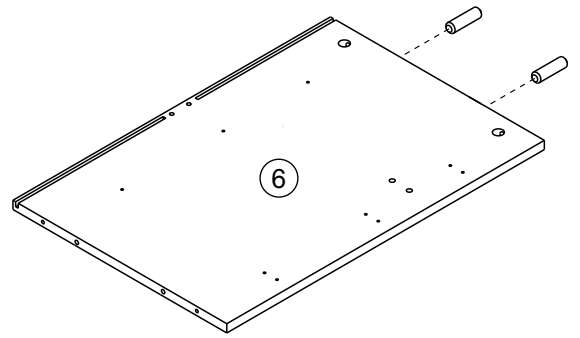
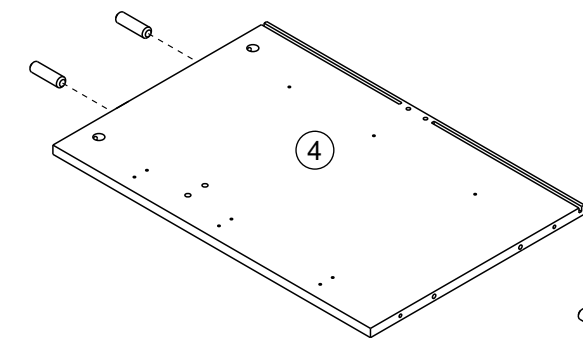
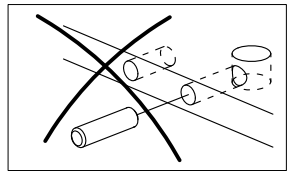
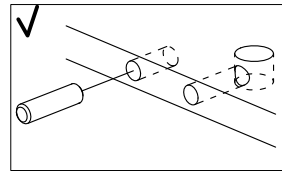
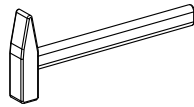
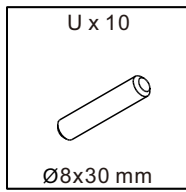


<p>A x 12</p>  <p>340 mm</p>	<p>B x 2</p>  <p>75x25x15 mm</p>	<p>C x 60</p>  <p>Ø3.5x12 mm</p>	<p>D x 12</p>  <p>Ø3.5x20 mm</p>	<p>E x 36</p>  <p>Ø4x35 mm</p>
<p>F x 8</p>  <p>M6x12 mm</p>	<p>G x 8</p>  <p>M6x25 mm</p>	<p>H x 5</p>  <p>M6x30 mm</p>	<p>J x 10</p>  <p>M6x40 mm</p>	<p>K x 6</p>  <p>M4x20 mm</p>
<p>L x 36</p>  <p>Ø15x9 mm</p>	<p>M x 17</p>  <p>Ø15x12 mm</p>	<p>N x 6</p>  <p>Ø17x22 mm</p>	<p>P x 3</p>  <p>Ø13.5x25 mm</p>	<p>Q x 53</p>  <p>Ø6x45 mm</p>
<p>R x 12</p>  <p>15x13x10 mm</p>	<p>S x 6</p>  <p>Ø5x38 mm</p>	<p>T x 12</p>  <p>Ø6x30 mm</p>	<p>U x 16</p>  <p>Ø8x30 mm</p>	<p>V x 1</p>  <p>3 mm</p>
<p>W x 1</p>  <p>4 mm</p>				

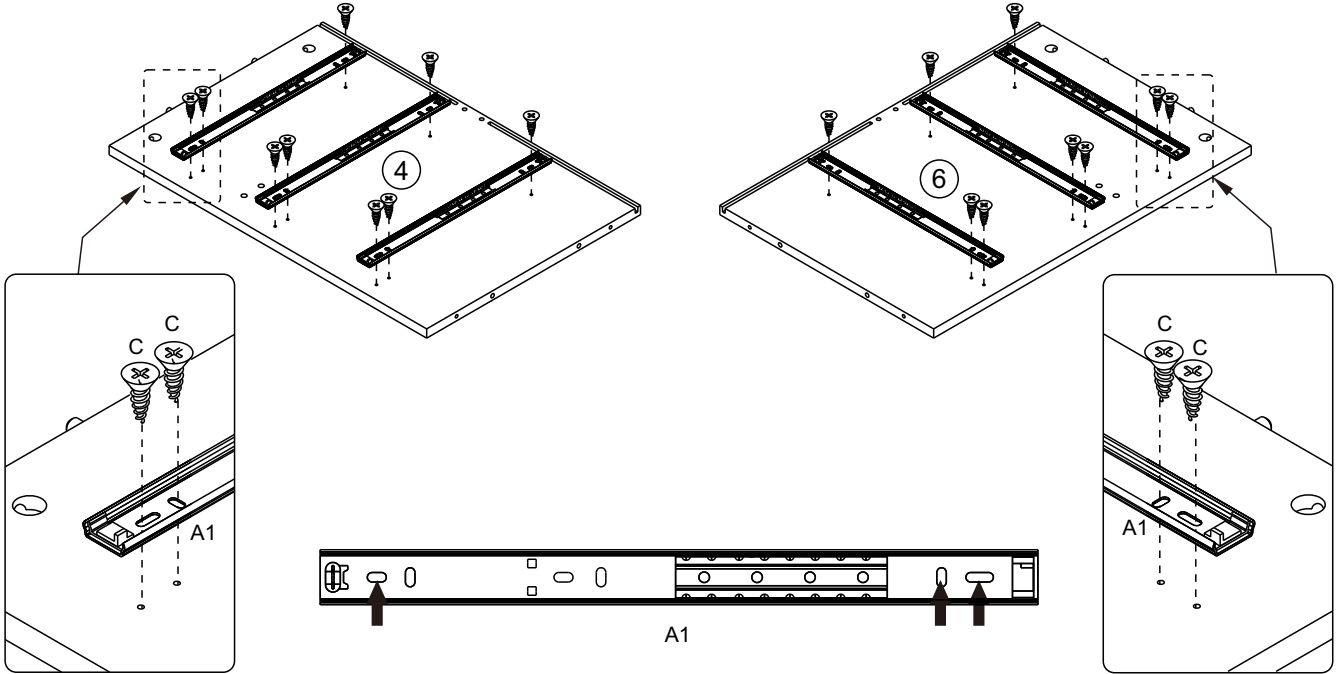
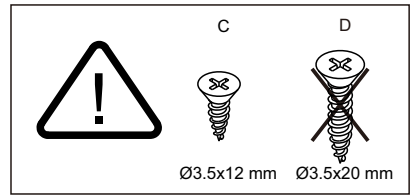
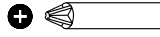
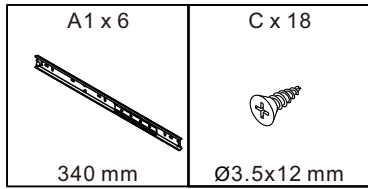
1



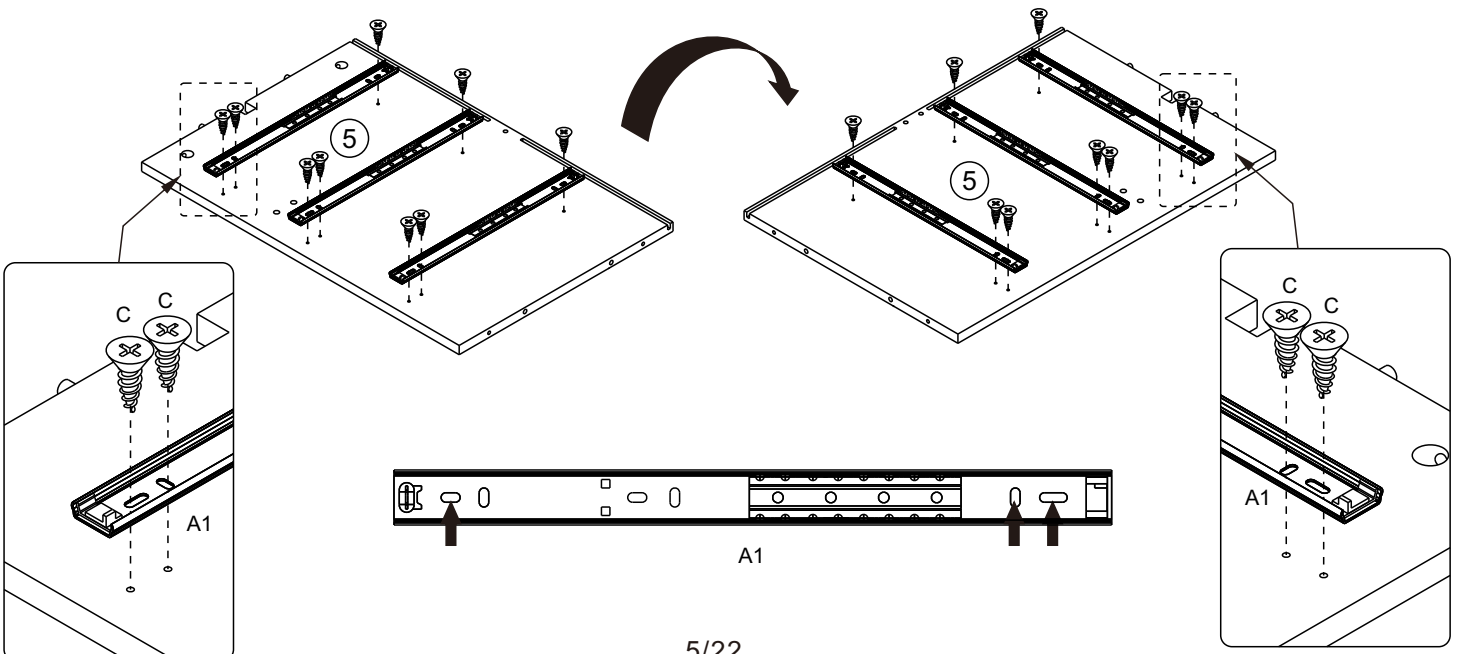
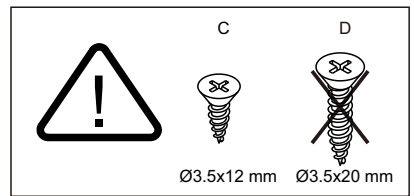
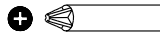
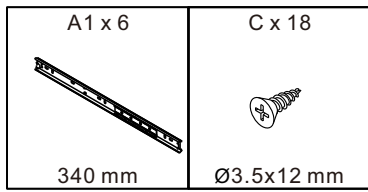
2



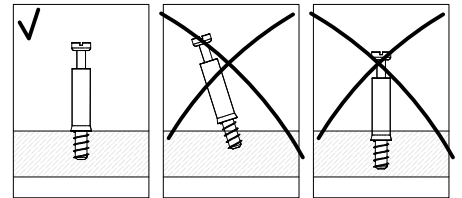
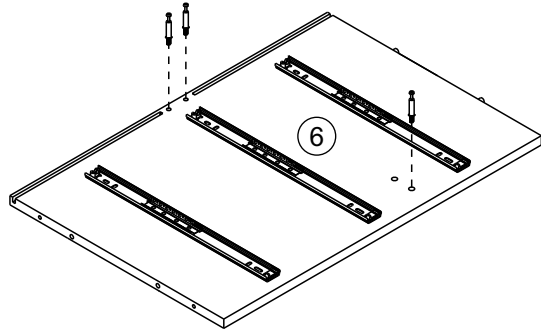
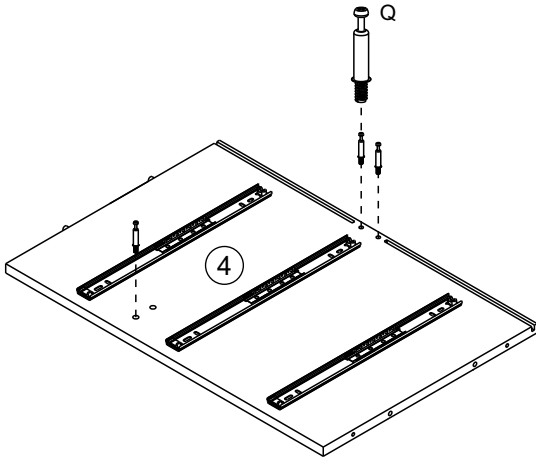
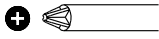
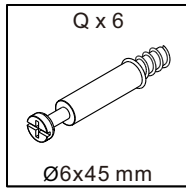
3



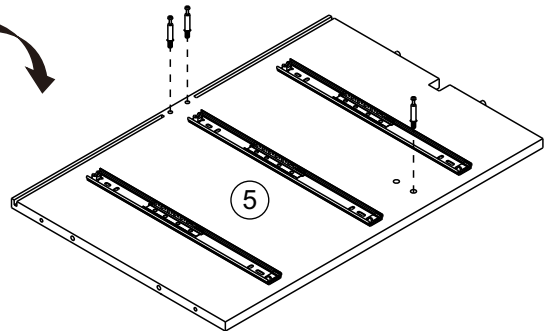
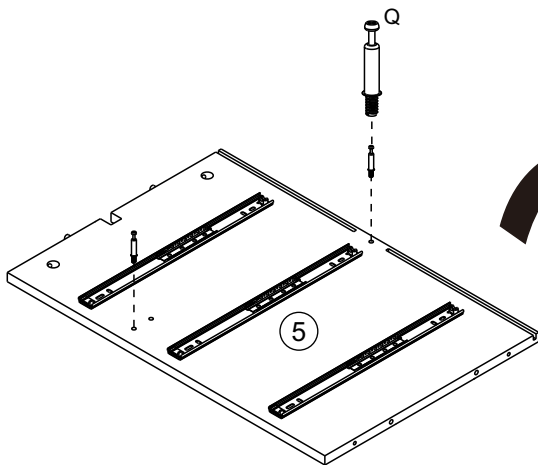
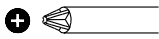
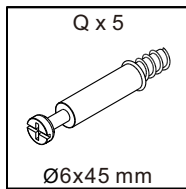
4



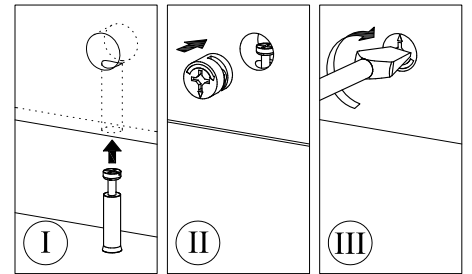
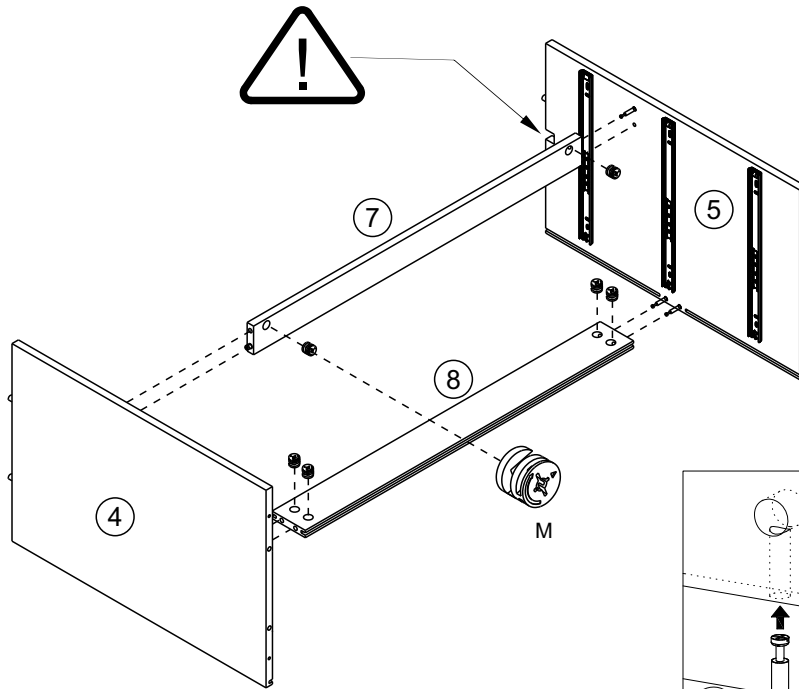
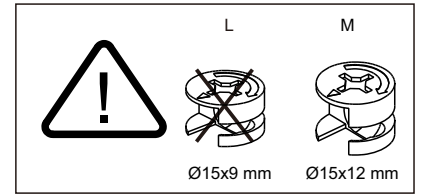
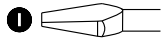
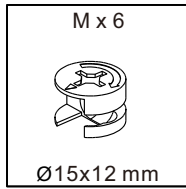
5



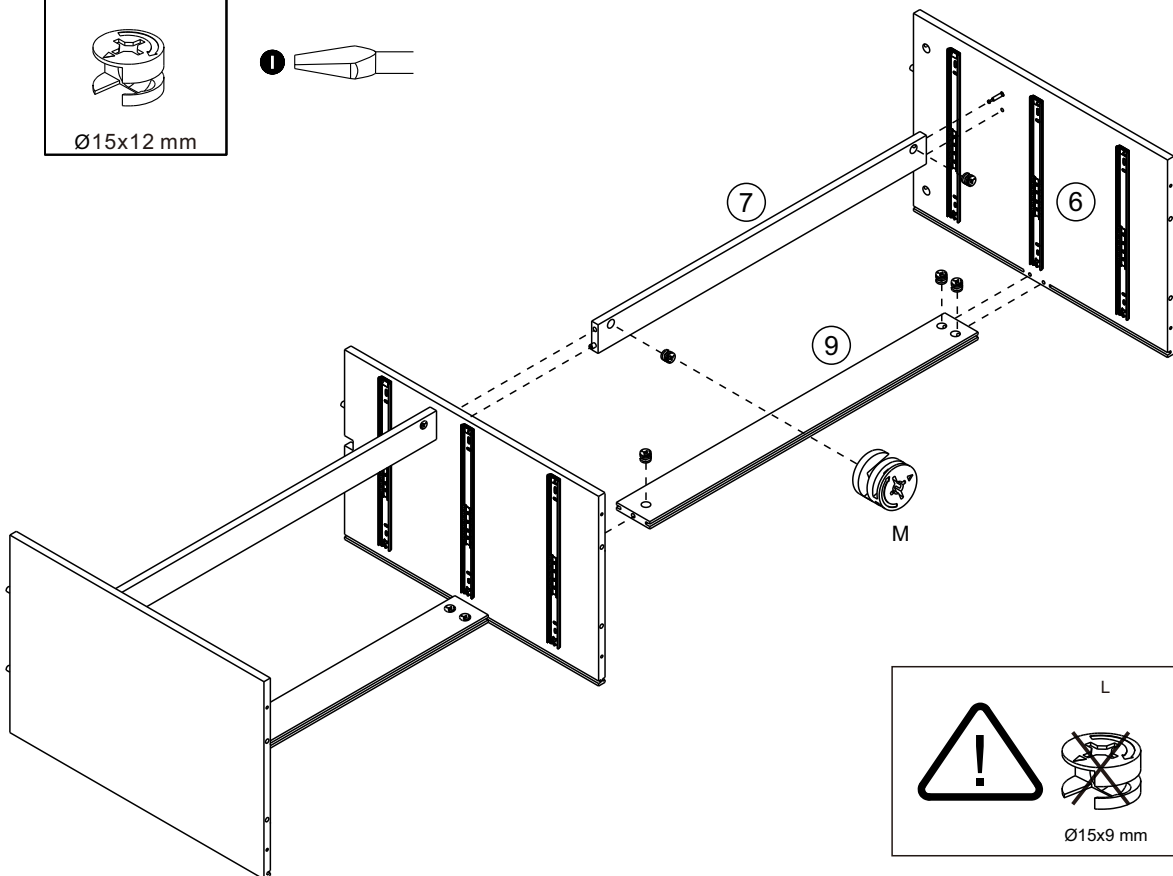
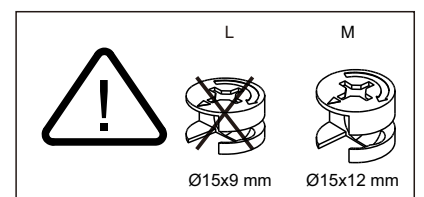
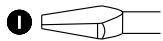
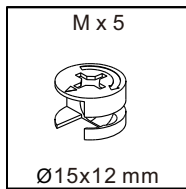
6



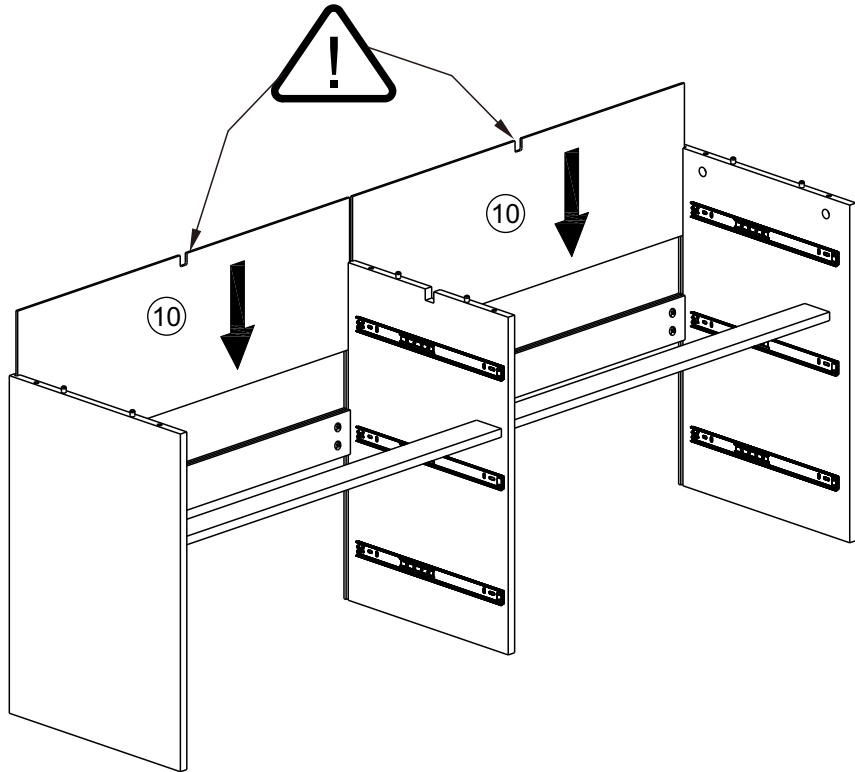
7



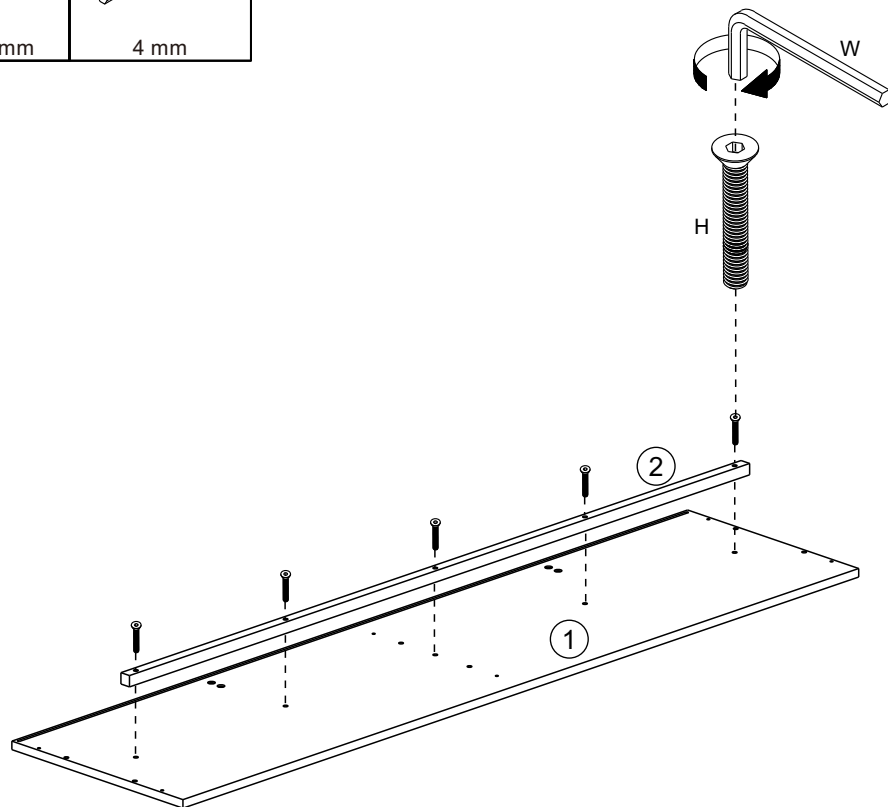
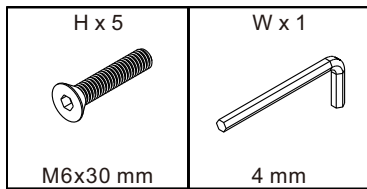
8





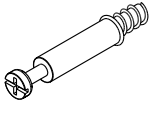
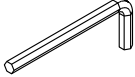

9

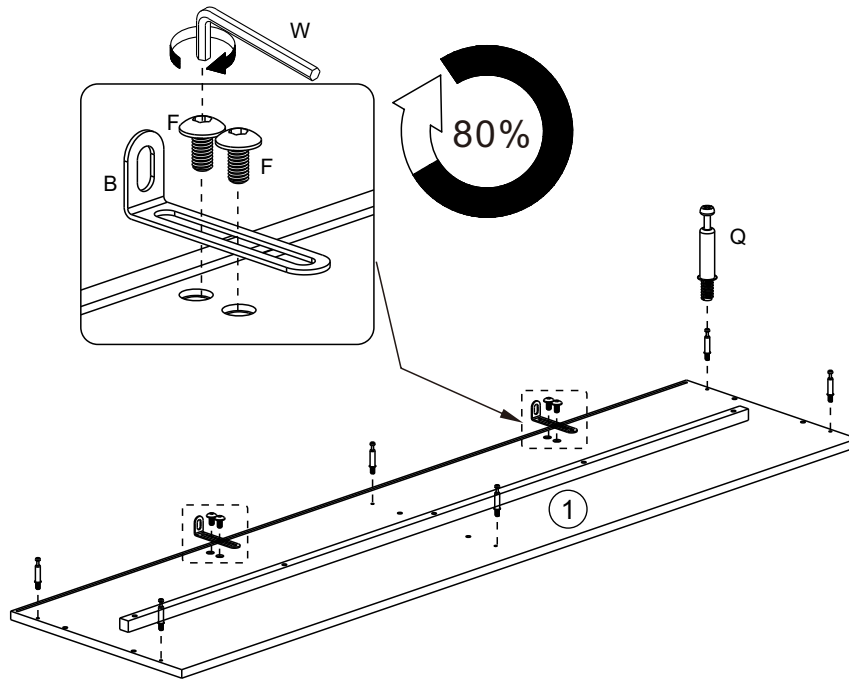


10

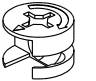



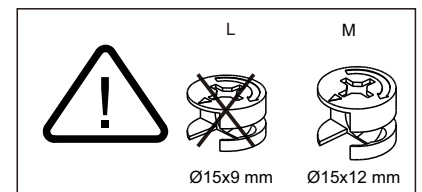
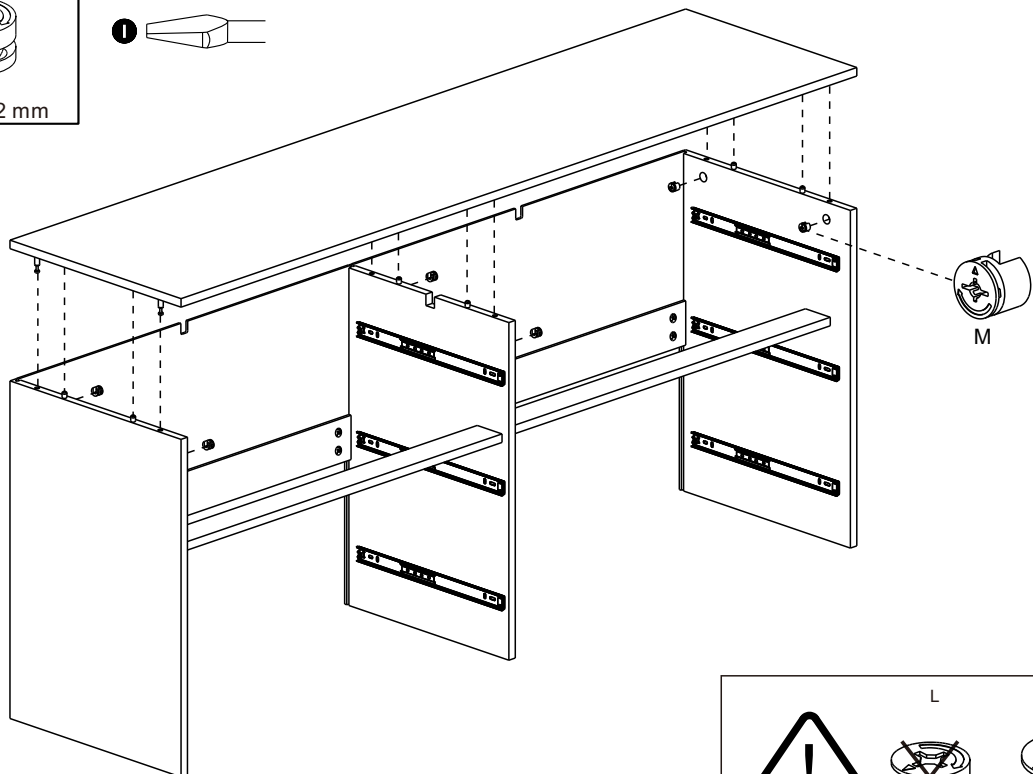
11

B x 2  75x25x15 mm	F x 4  M6x12 mm	Q x 6  Ø6x45 mm	W x 1  4 mm	
---	--	--	--	---

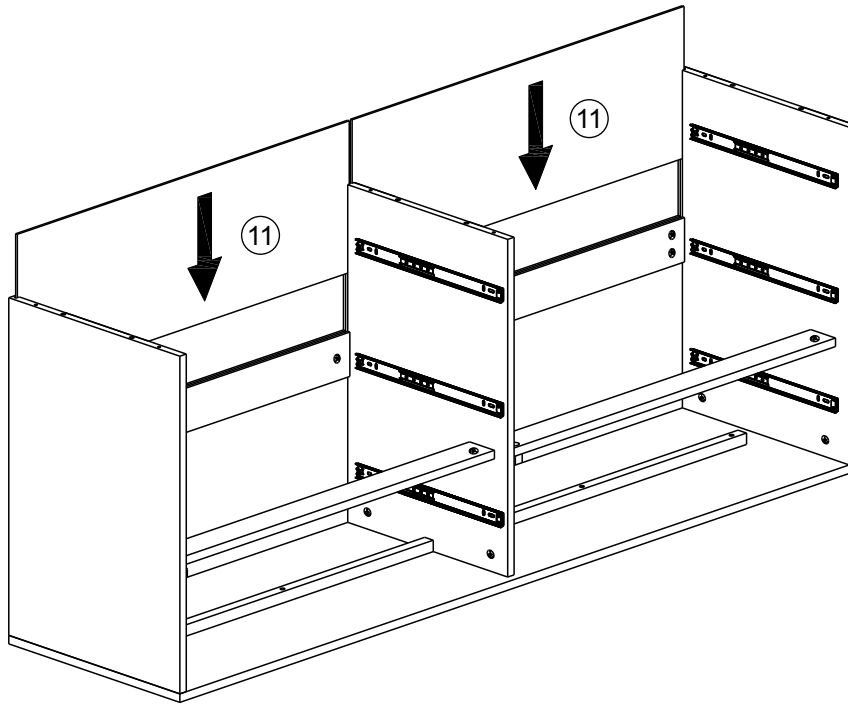


12

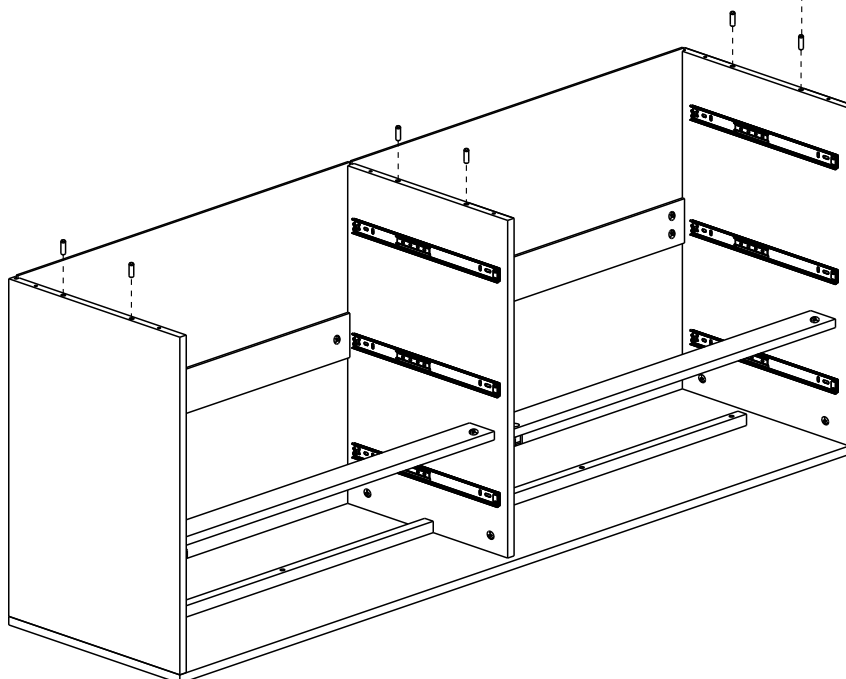
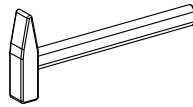
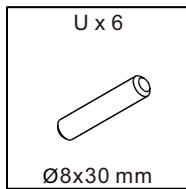
M x 6  Ø15x12 mm	
---	---



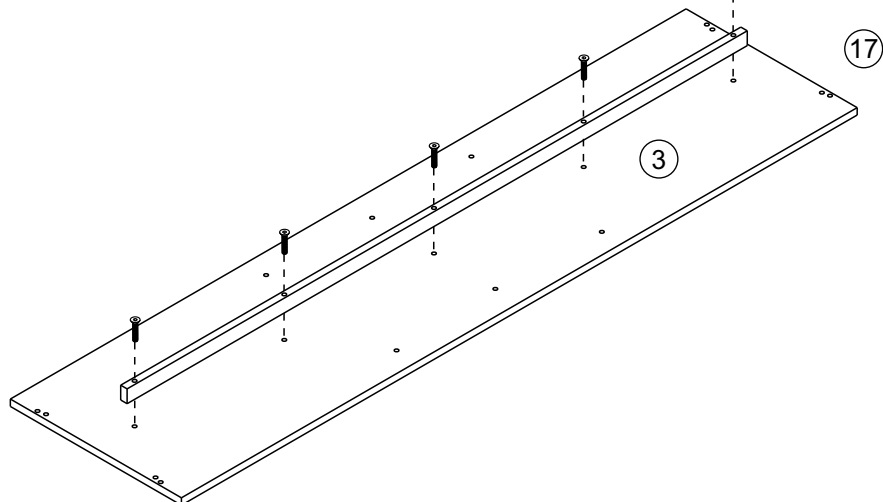
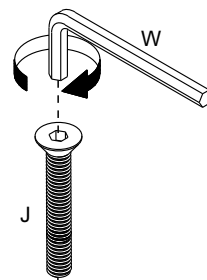
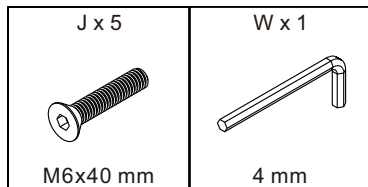
13



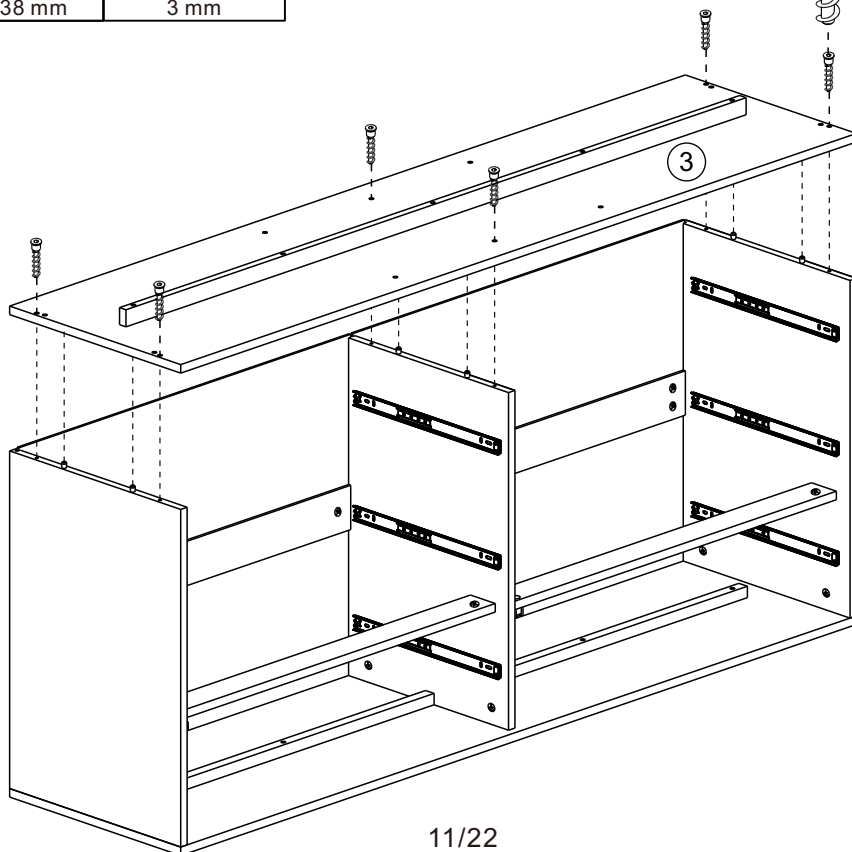
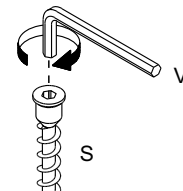
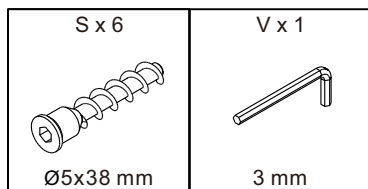
14



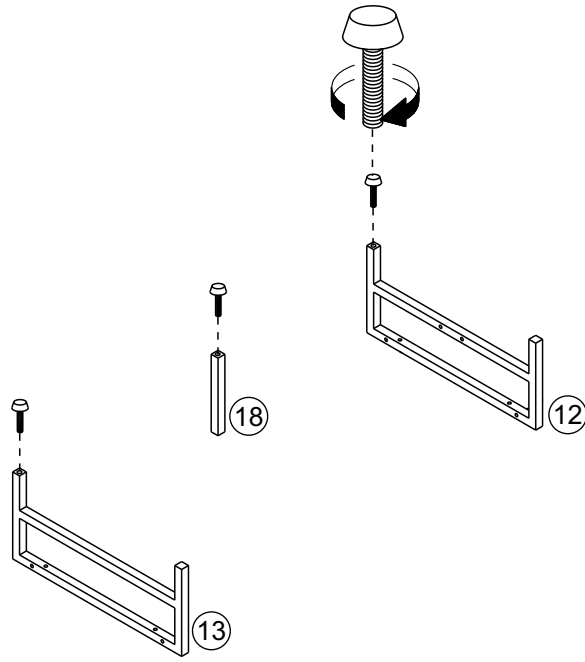
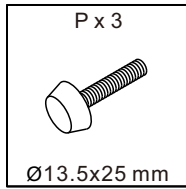
15



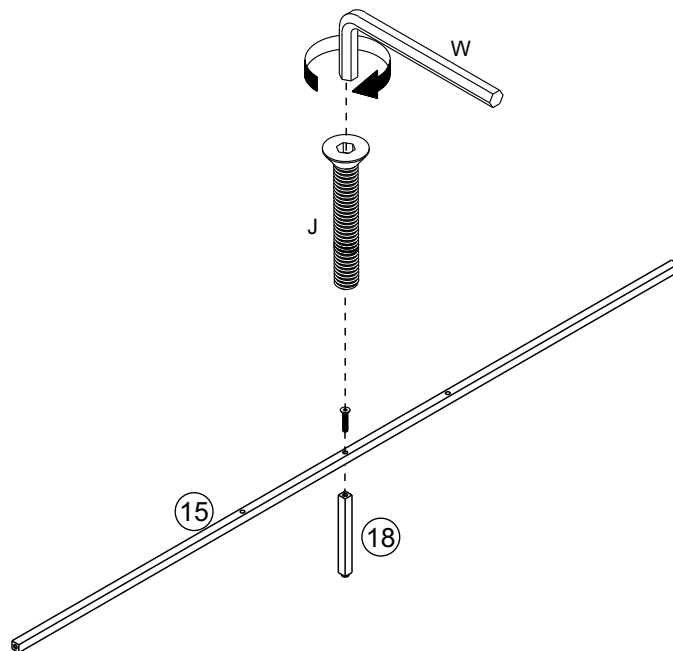
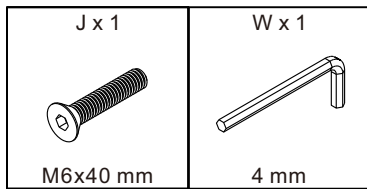
16




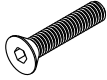
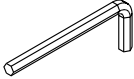
17

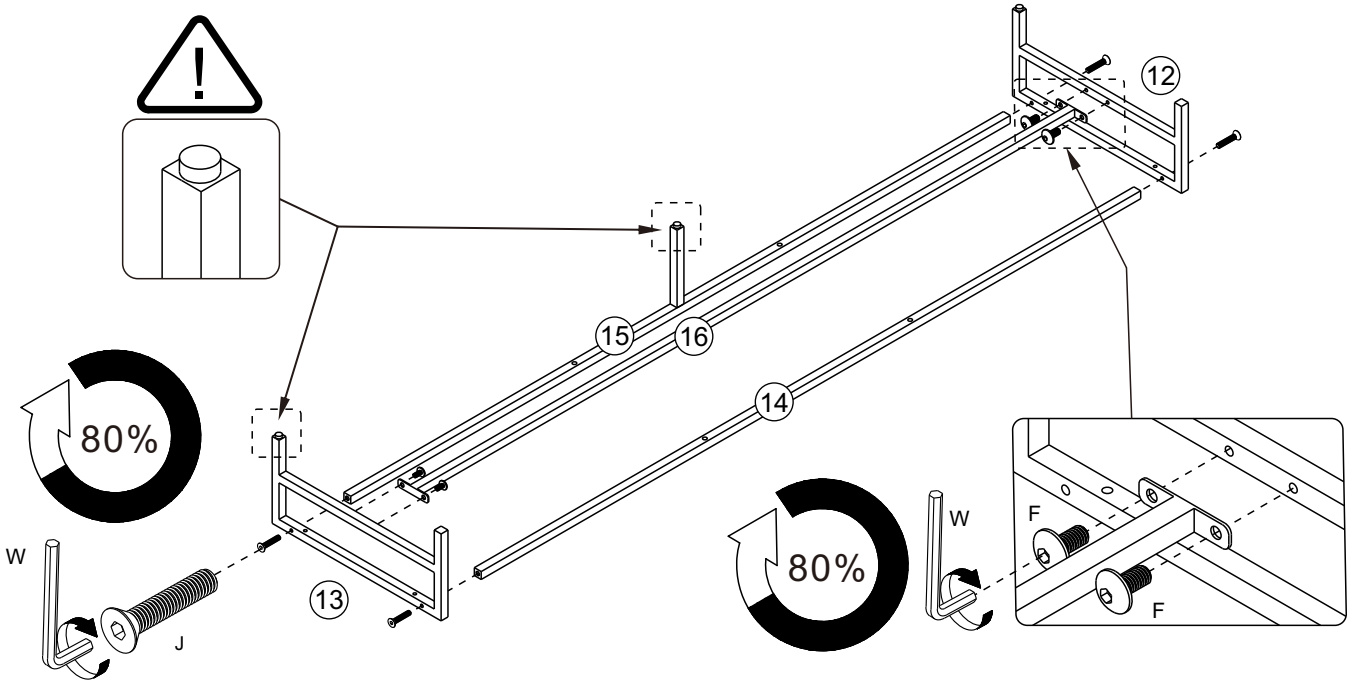


18

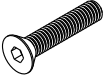
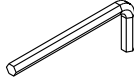


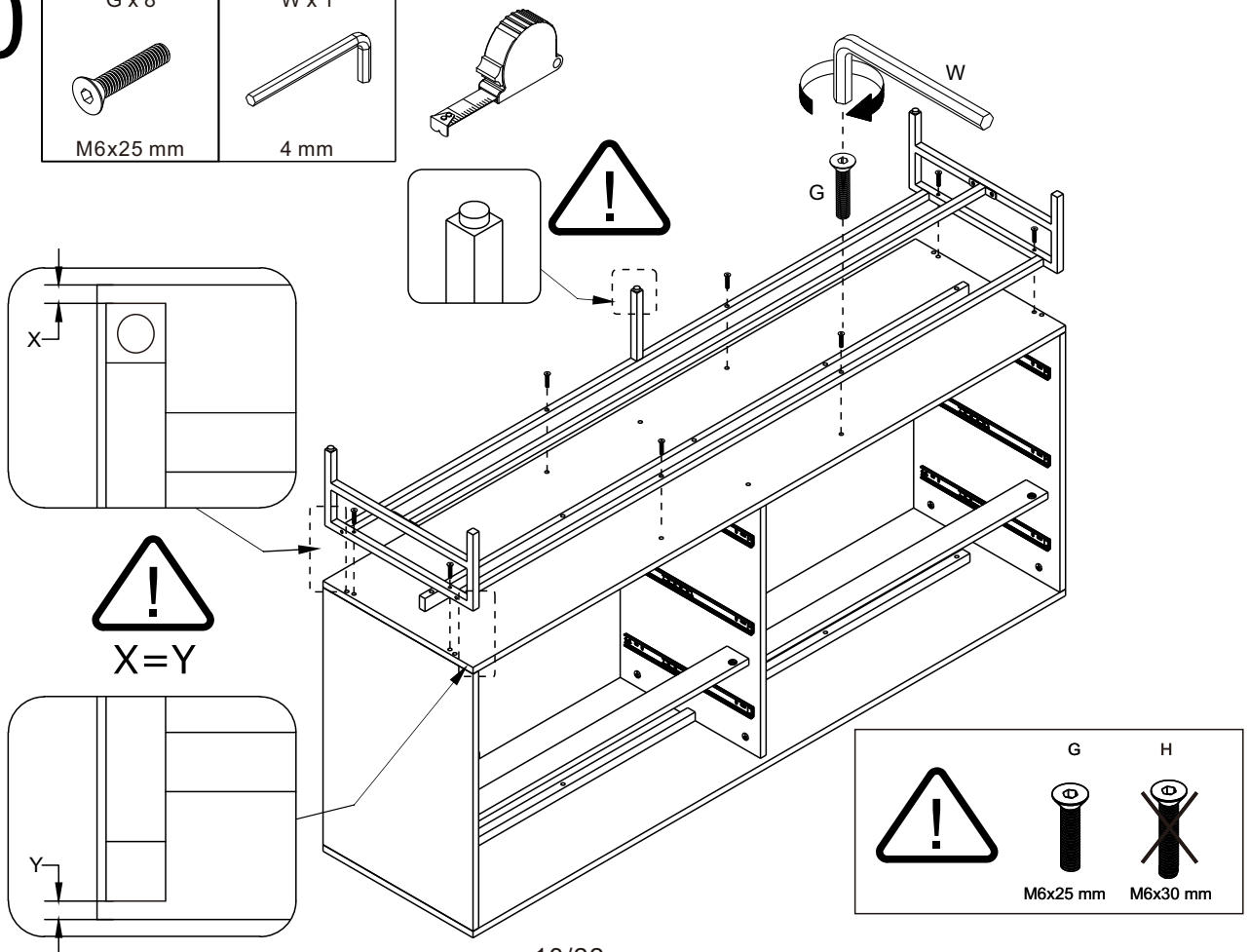
19

F x 4  M6x12 mm	J x 4  M6x40 mm	W x 1  4 mm
--	--	--

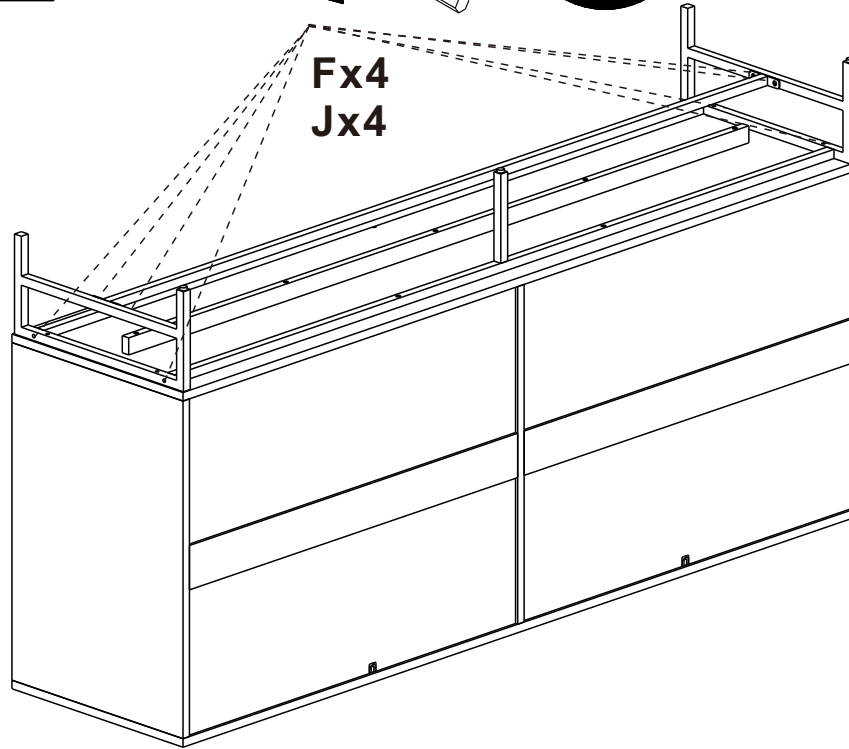
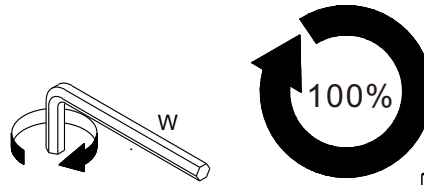
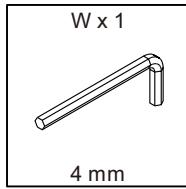


20

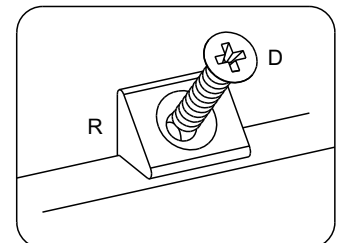
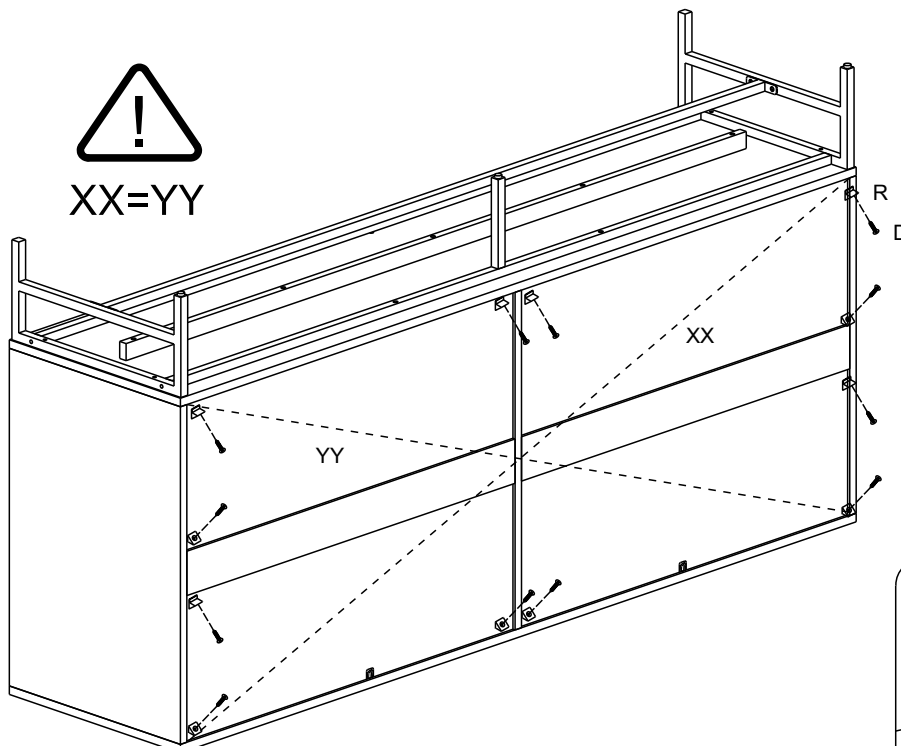
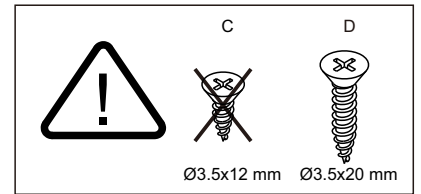
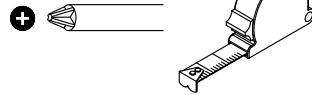
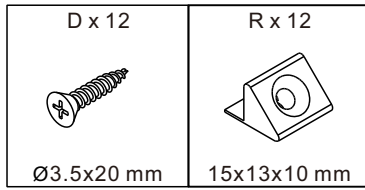
G x 8  M6x25 mm	W x 1  4 mm
--	--



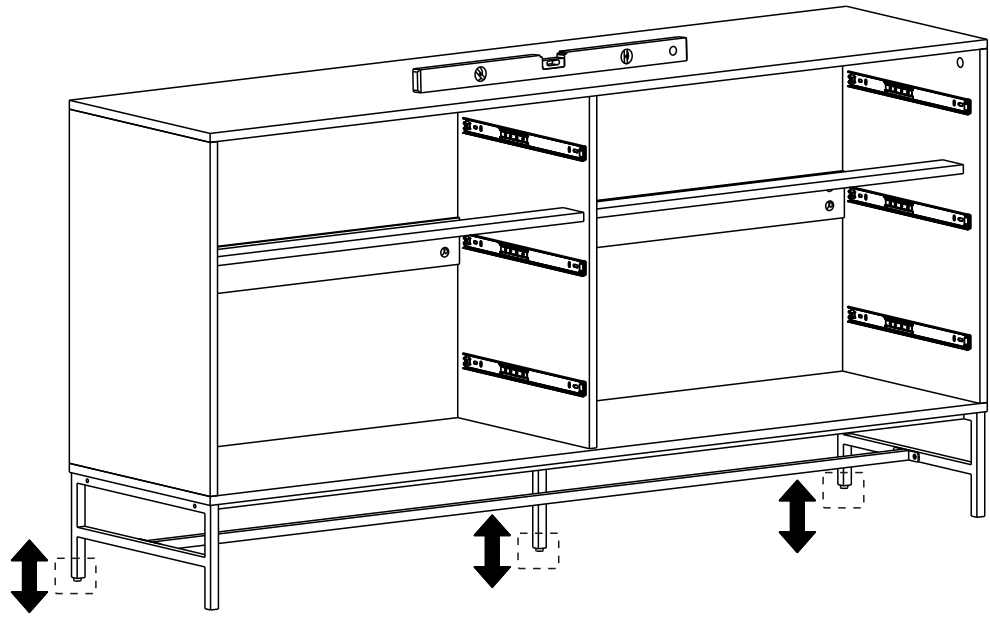
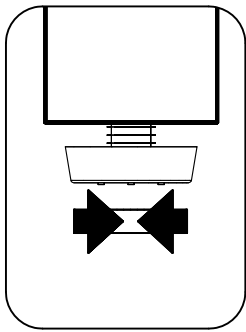
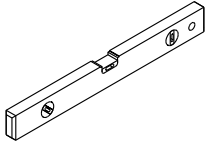
21



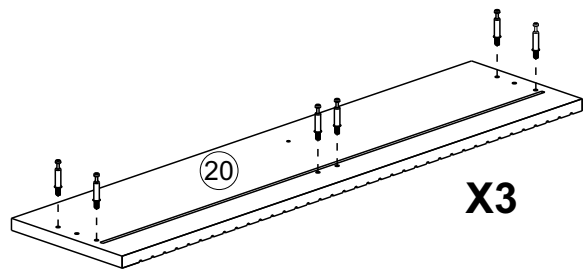
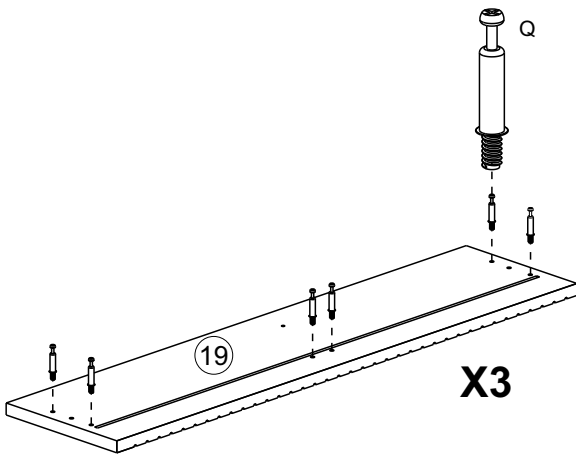
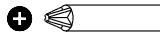
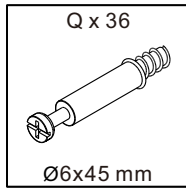
22



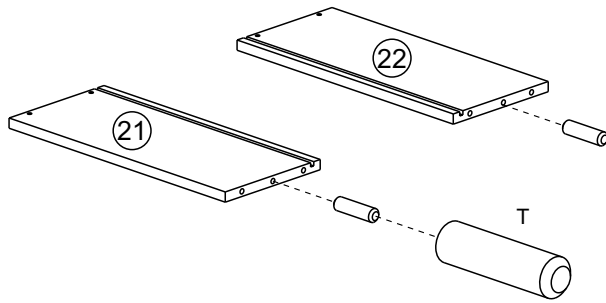
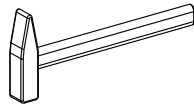
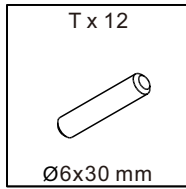
23



24

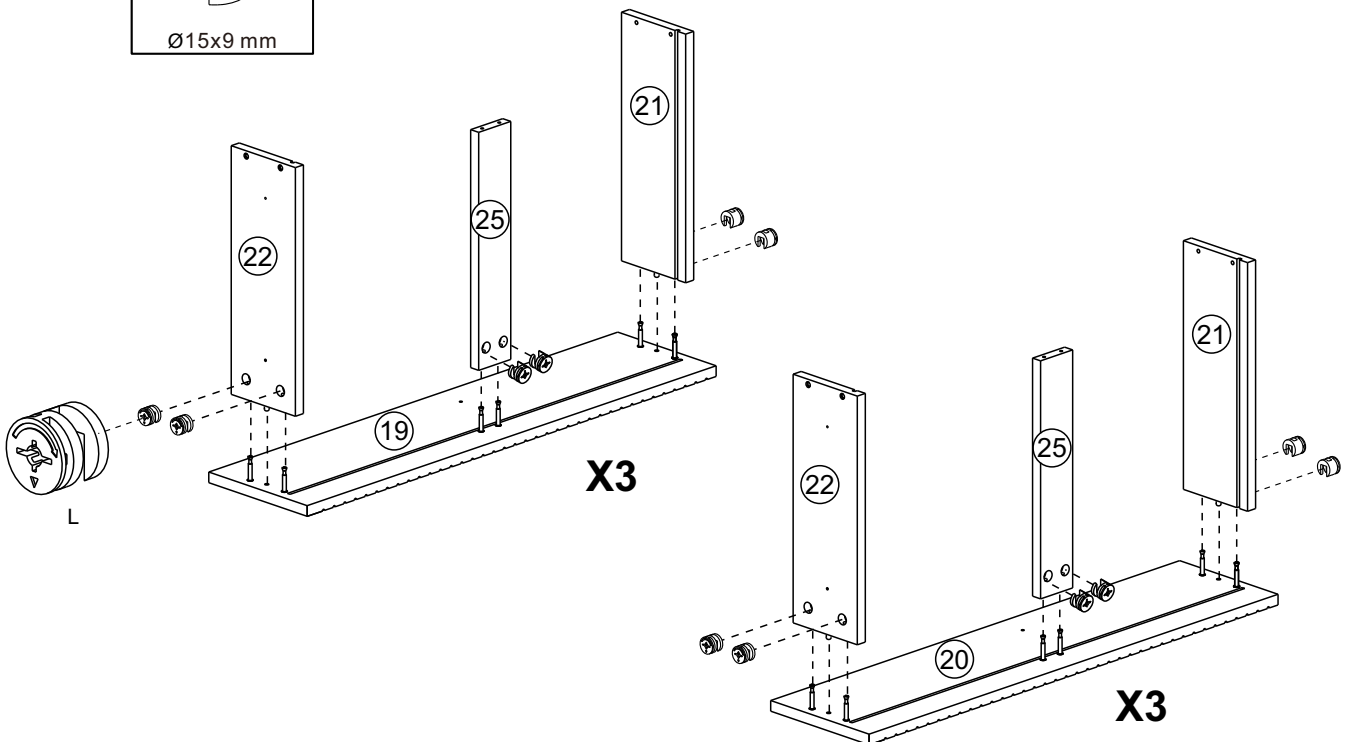
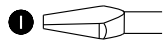
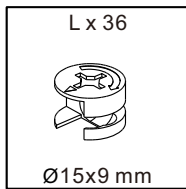


25



X6

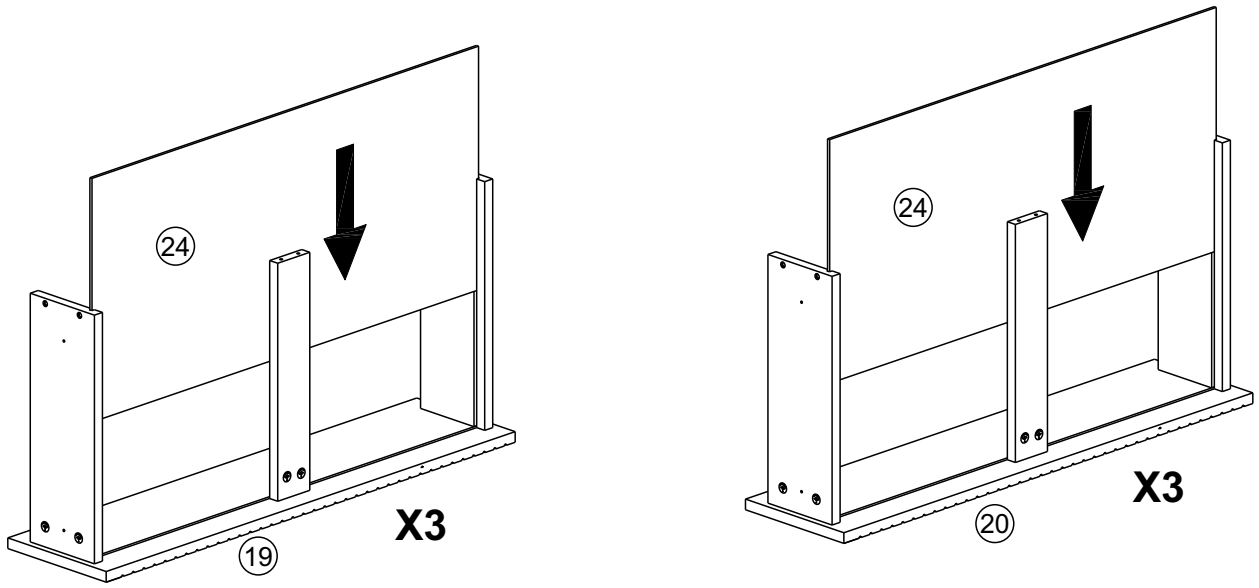
26



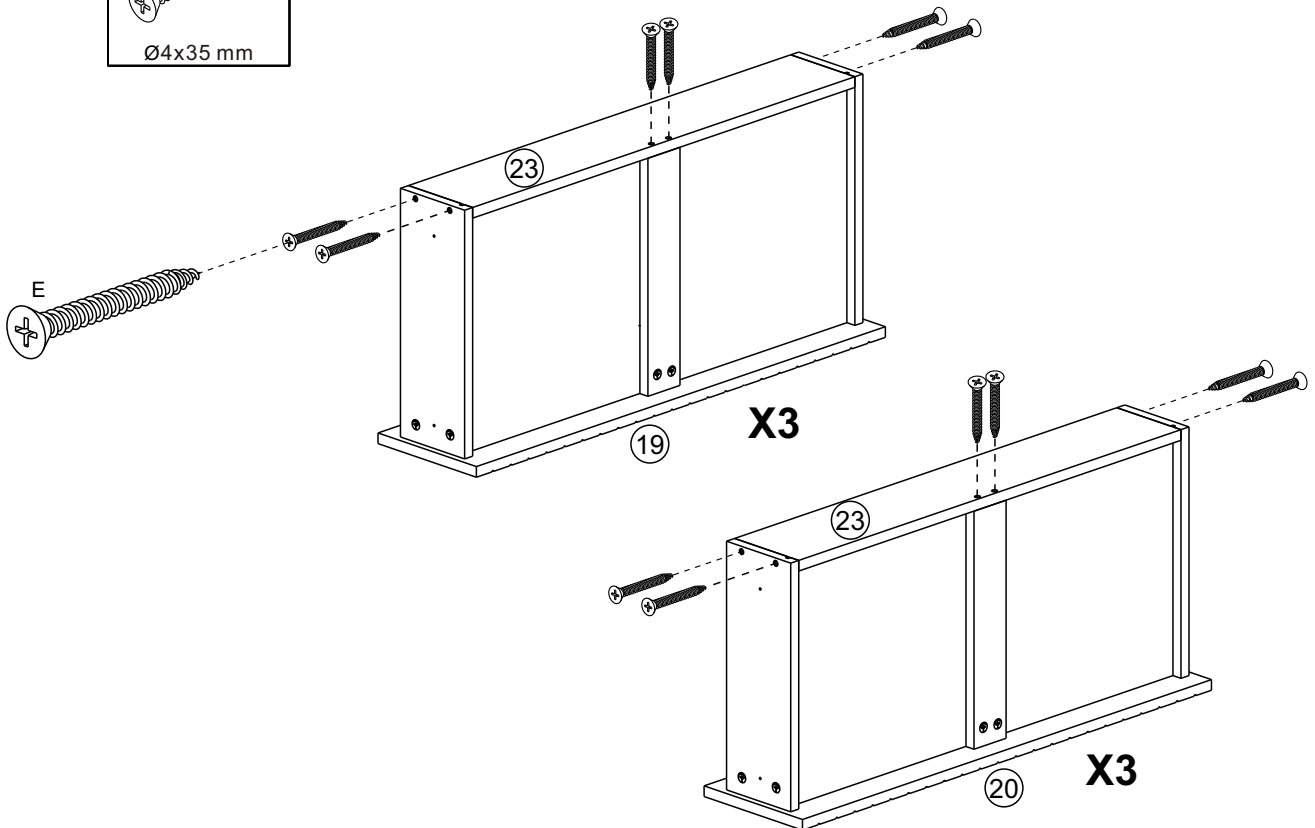
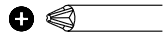
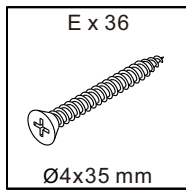
X3

X3

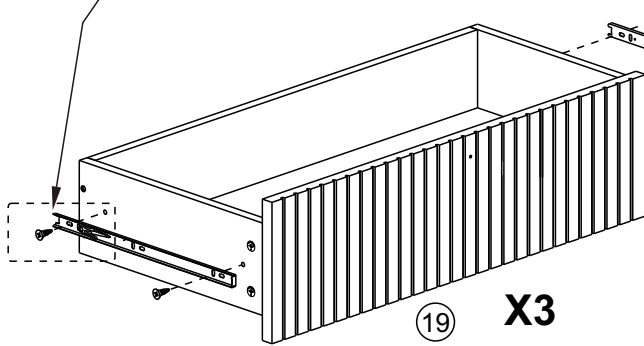
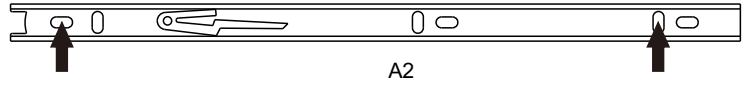
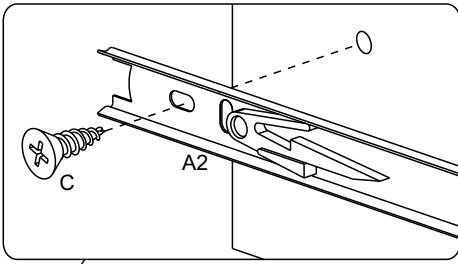
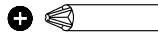
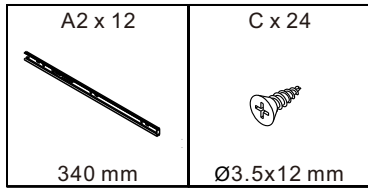
27



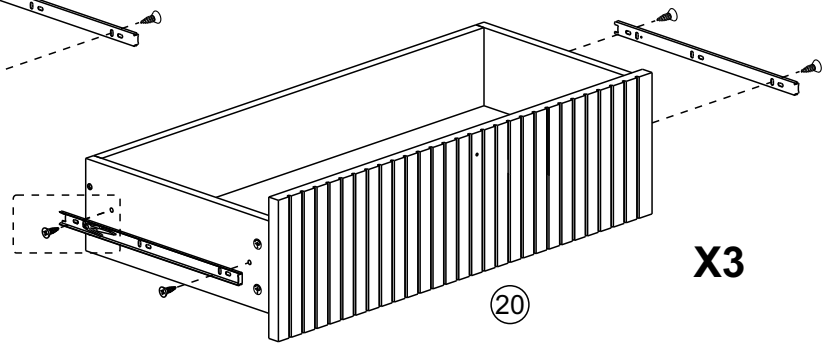
28



29

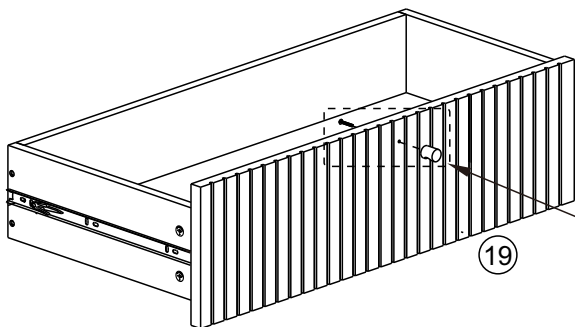
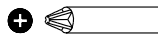
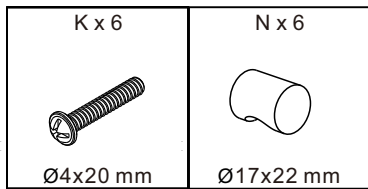


19 X3

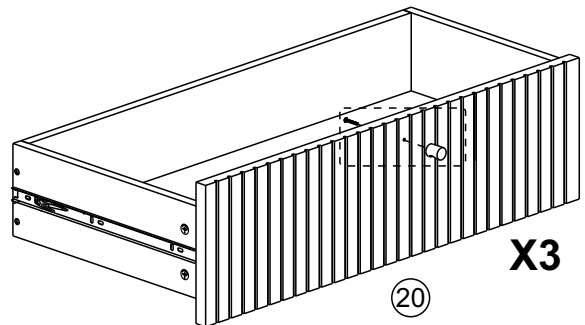


20 X3

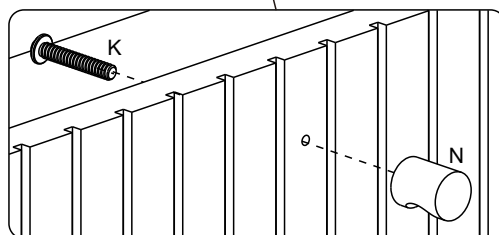
30



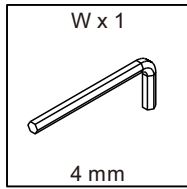
19 X3



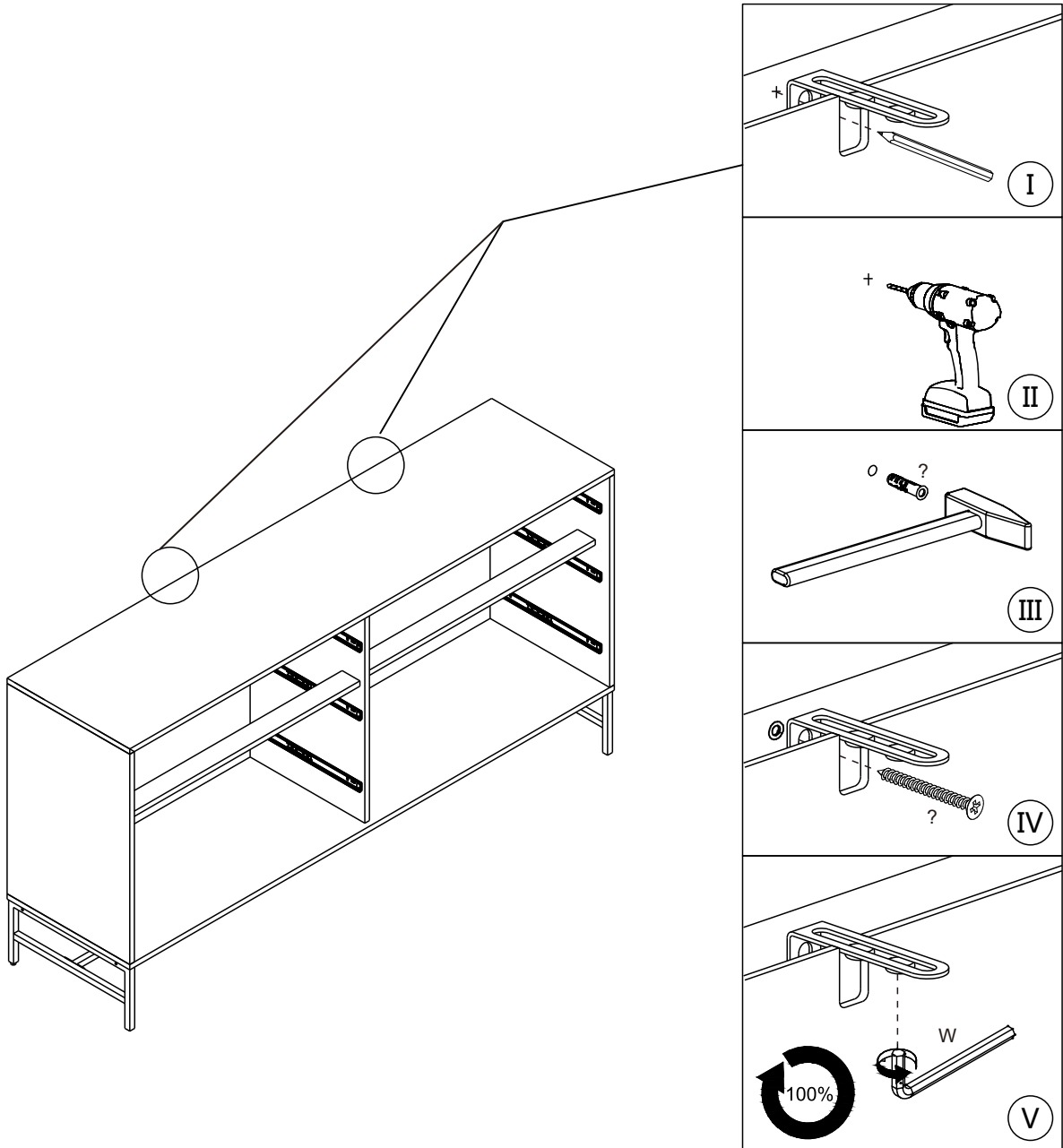
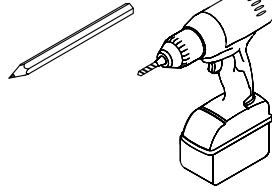
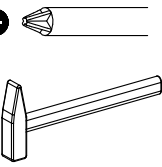
20 X3



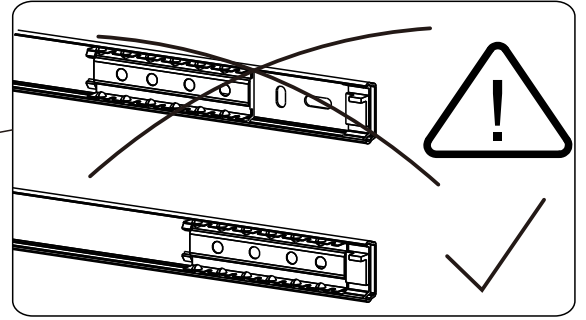
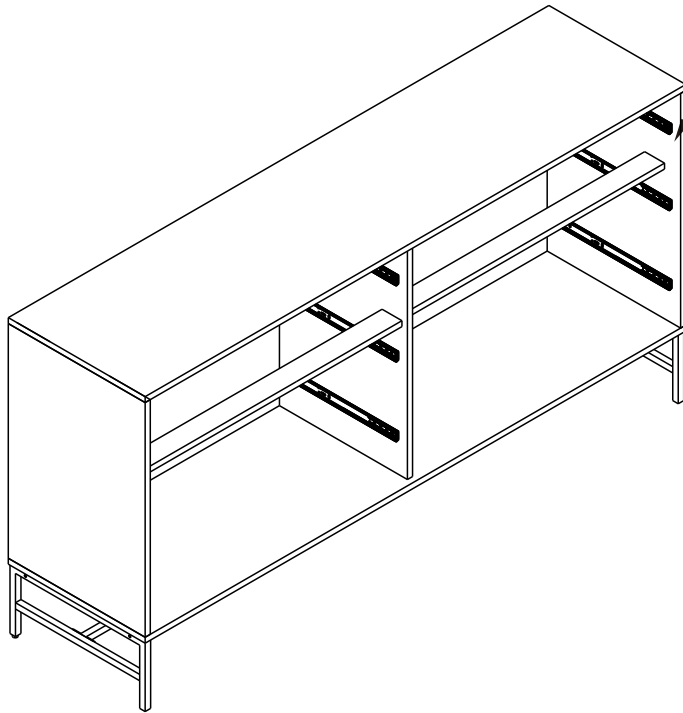
31



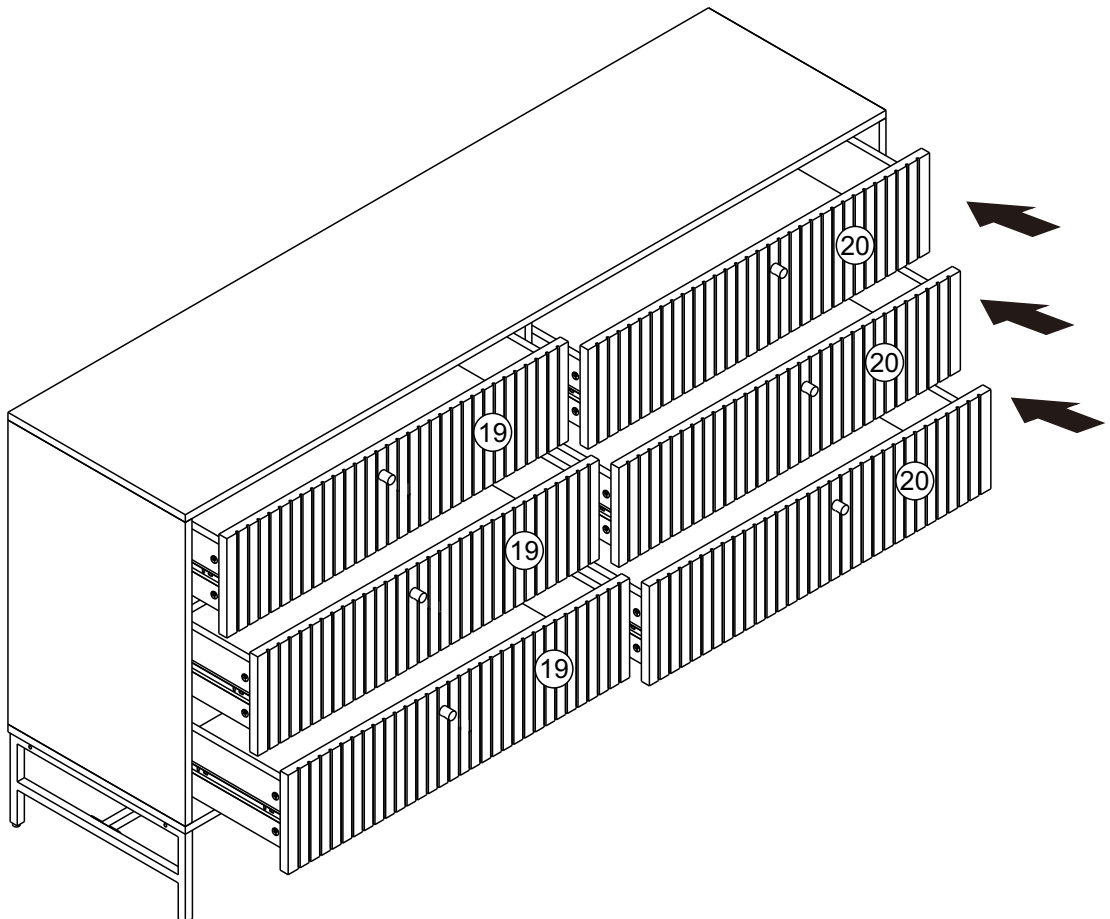
+



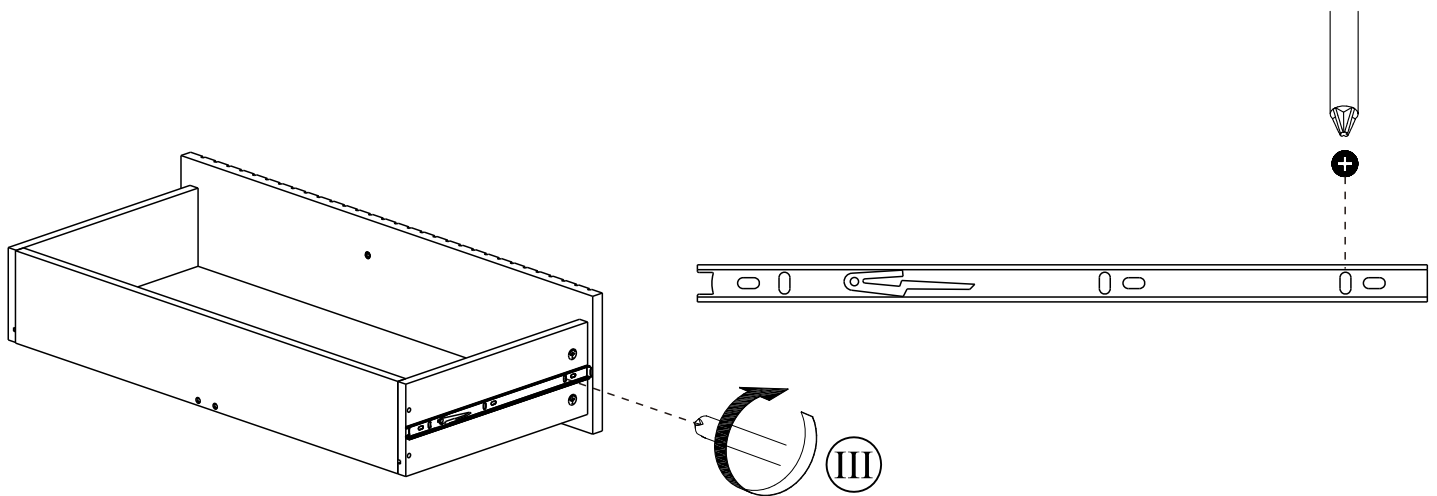
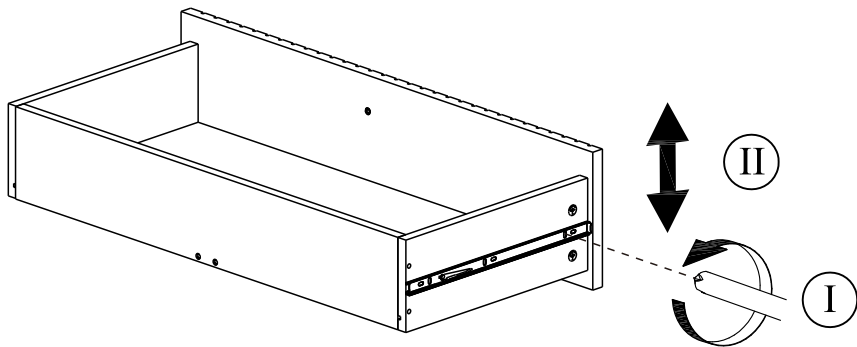
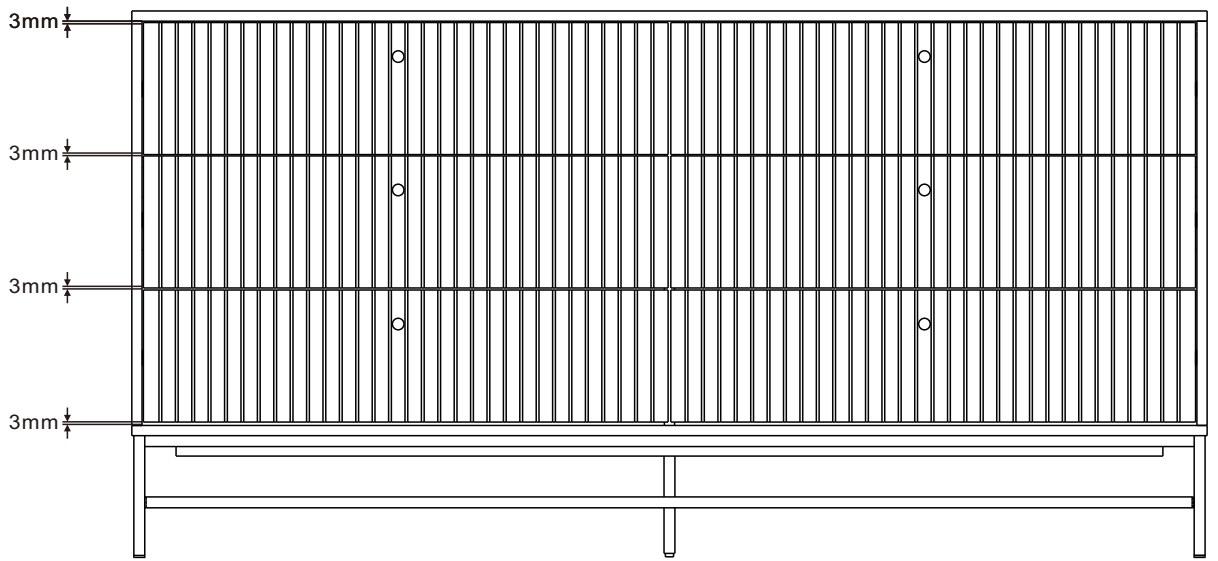
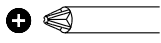
32



33



34



35

